

**PS360 (A682)**

## PARTS CATALOG

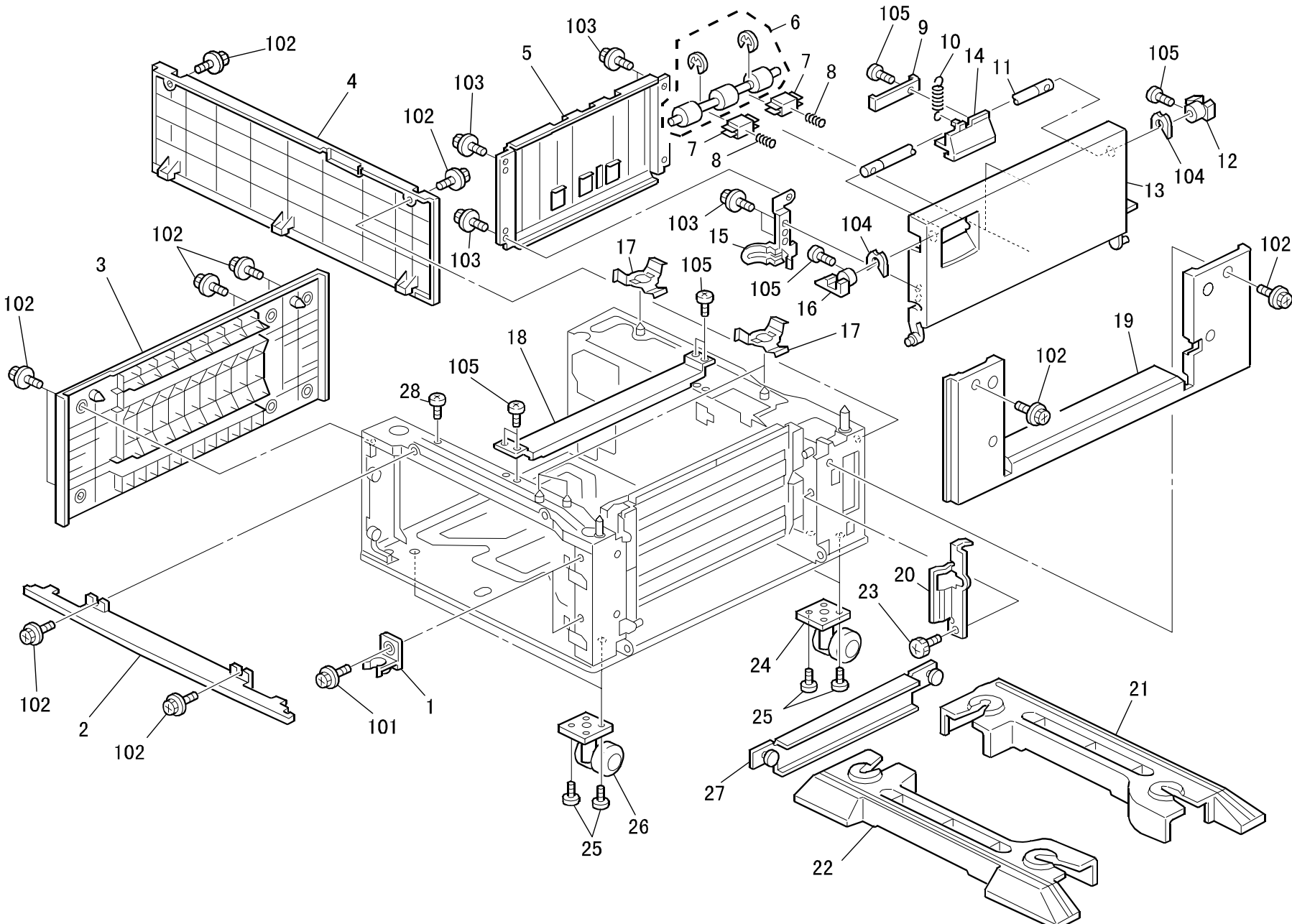
### INTRODUCTION

This chapter instructs you the numbers and names of parts on this machine.

### INDEX to PARTS CATALOG

1.EXTERIOR (A682) .....	2
2.PAPER TRAY (A682) .....	4
3.PAPR REGISTRATION (A682) .....	6
4.DRIVE SECTION (A682) .....	8
5.DRIVE AND ELECTRICAL SECTION (A682) .....	10
<b>PARTS INDEX .....</b>	<b>13</b>

# 1.EXTERIOR (A682)

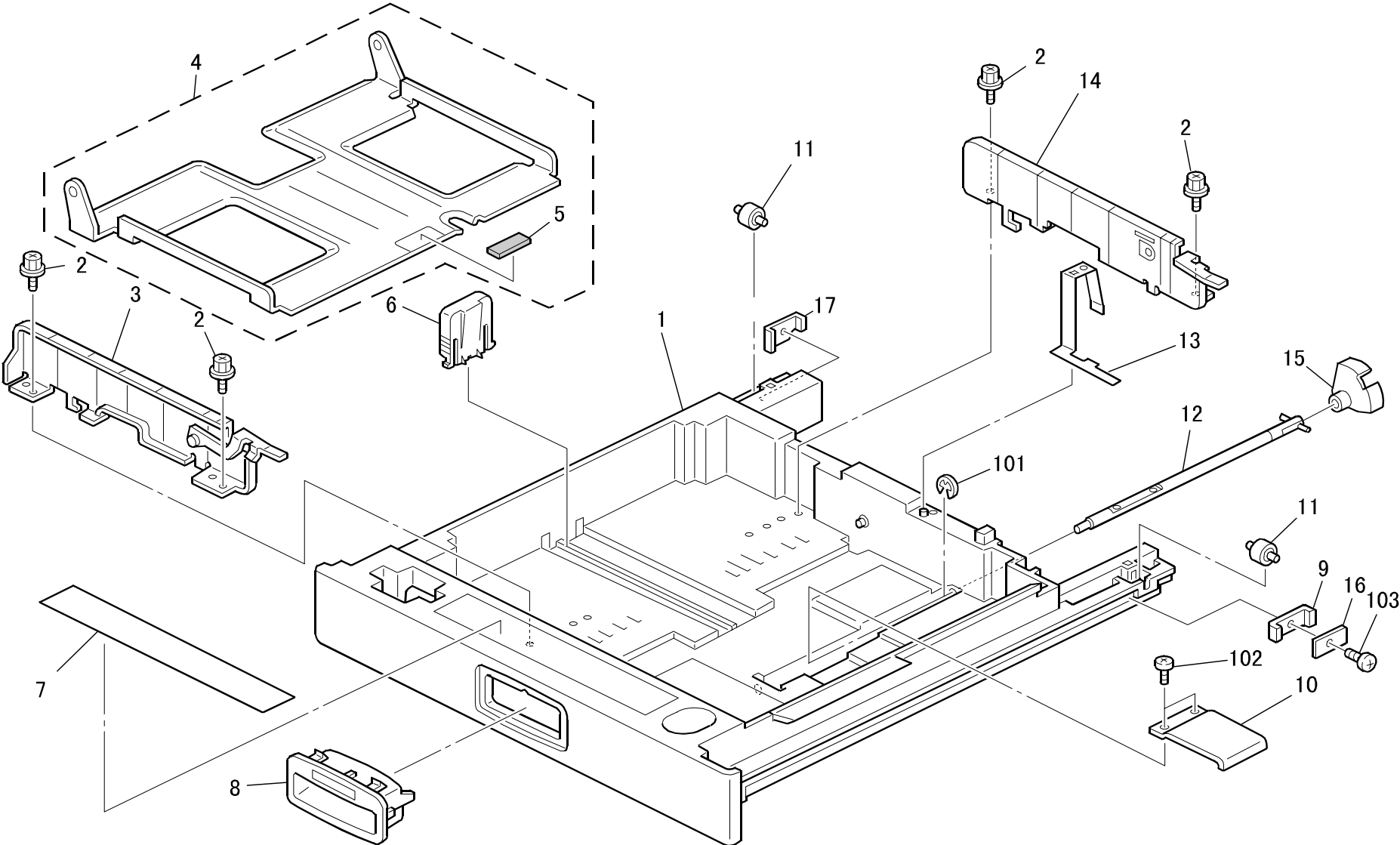


## 1.EXTERIOR (A682)

Index No.	Part No.	Description	Q'ty Per Assembly
1	A232 2995	Front Positioning Guide	2
2	A682 1260	Front Upper Cover	1
3	A682 1253	Left Cover	1
4	A682 1251	Right Cover	1
5	A682 2560	Vertical Transport Guide	1
6	A232 2862	Driven Roller	2
7	AA08 0228	Bushing - M4	4
8	AA06 3573	Compression Spring	4
9	A682 2559	Lever Stopper	1
10	AA06 0715	Pressure Spring	1
11	AA14 0670	Un Lock Shaft	1
12	A682 2553	Rear Hook - Vertical Transport Cover	1
13	A682 2550	Vertical Transport Cover	1
14	A682 2551	Lever - Vertical Transport Cover	1
15	A682 2565	Stopper - Vertical Transport Cover	1
16	A682 2552	Front Hook - Vertical Transport	1
17	A682 1074	Grounding Plate	4
18	A682 1067	Upper Middle Stay	1
19	A682 1250	Right Cover	1
20	A682 1073	Fixing Plate	1
21	A682 6167	Rear Stand	1
22	A682 6166	Front Stand	1
23	AA14 3754	Knob Screw - M3	1
24	AH01 2014	Caster - 60kgf	2
25	A507 1096	Philips Screw - M5x6	16
26	AH01 2013	Stopper Caster - 60kgf	2
27	A682 6170	Stand Fixing Plate	1
28	A217 1340	Knob Screw - M4x10	1

Index No.	Part No.	Description	Q'ty Per Assembly
101	0451 3006B	Tapping Screw - M3x6	
102	0451 3008H	Tapping Screw - 3x8	
103	0450 4010B	Tapping Screw - 4x10	
104	0805 0088	Retaining Ring - M6	
105	0453 3006B	Tapping Screw - M3x6	

# 2.PAPER TRAY (A682)

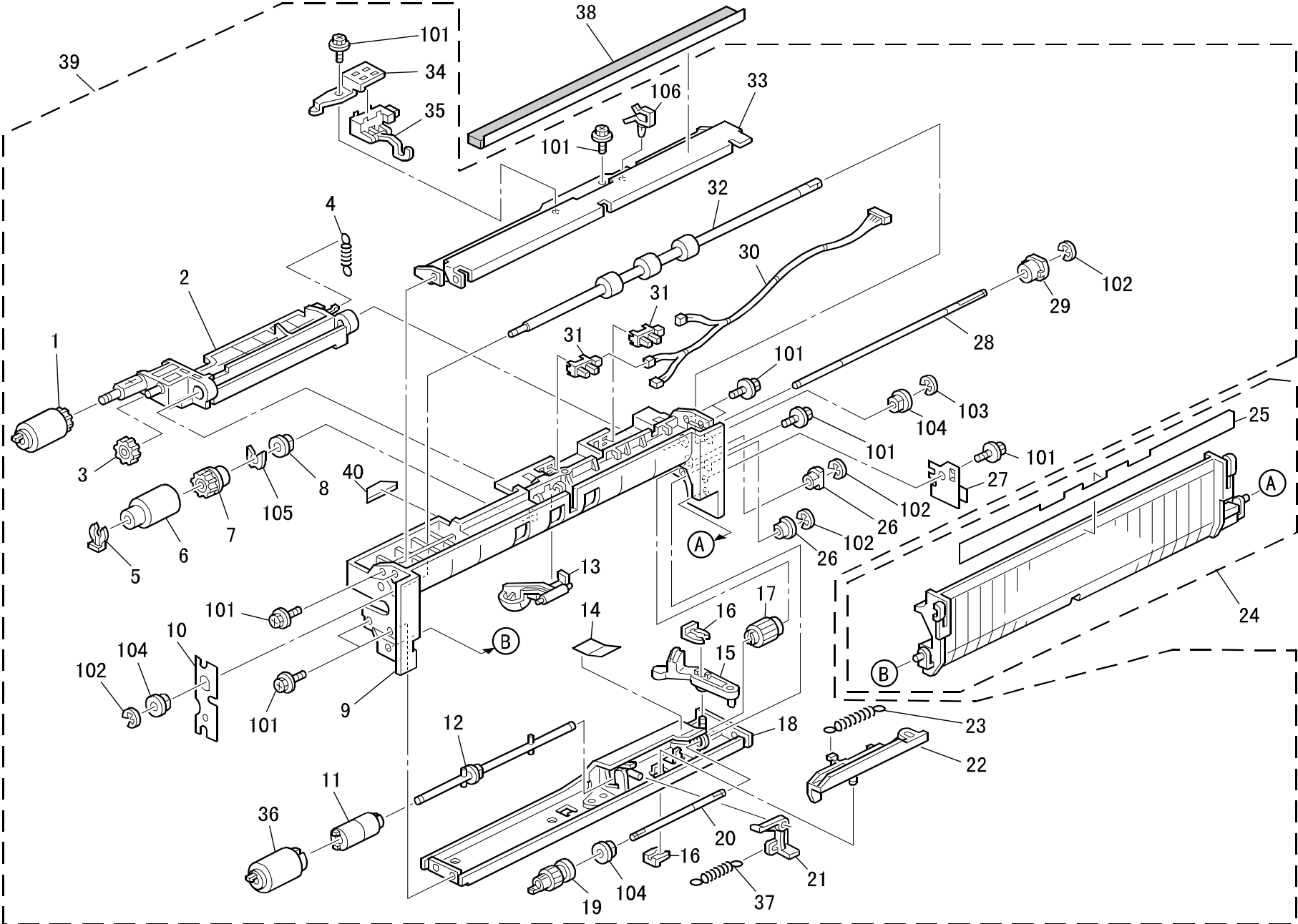


## 2.PAPER TRAY (A682)

Index No.	Part No.	Description	Q'ty Per Assembly
1	AF00 2005	Paper Tray Ass'y	1
2	A232 2986	Screw - M4X8	4
3	A232 2979	Front Side Fence	1
4	A232 2977	Bottom Plate	1
5	AF01 3014	Bottom Plate Pad	1
6	AF01 7020	End Fence	1
7	AA00 3002	Decal - Add Paper	1
8	A232 2988	Handle - Paper Tray	1
9	A232 2997	Right Stopper - Paper Tray	1
10	A232 2975	Bottom Lift Plate	1
11	A232 2987	Roller - Paper Tray	2
12	A232 2972	Bottom Lift Shaft	1
13	A232 2976	Grounding Plate - Paper Tray	1
14	A232 2983	Rear Side Fence	1
15	A235 2979	Paper End Sensor Feeler	1
16	A232 2999	Right Spacer	1
17	A232 2978	Left Shoe	1

Index No.	Part No.	Description	Q'ty Per Assembly
101	0720 0060E	Retaining Ring - M6	
102	0353 0060B	Philips Pan Head Screw - M3x6	
103	0452 3010B	Tapping Bind Screw - M3x10	

### 3.PAPR REGISTRATION (A682)



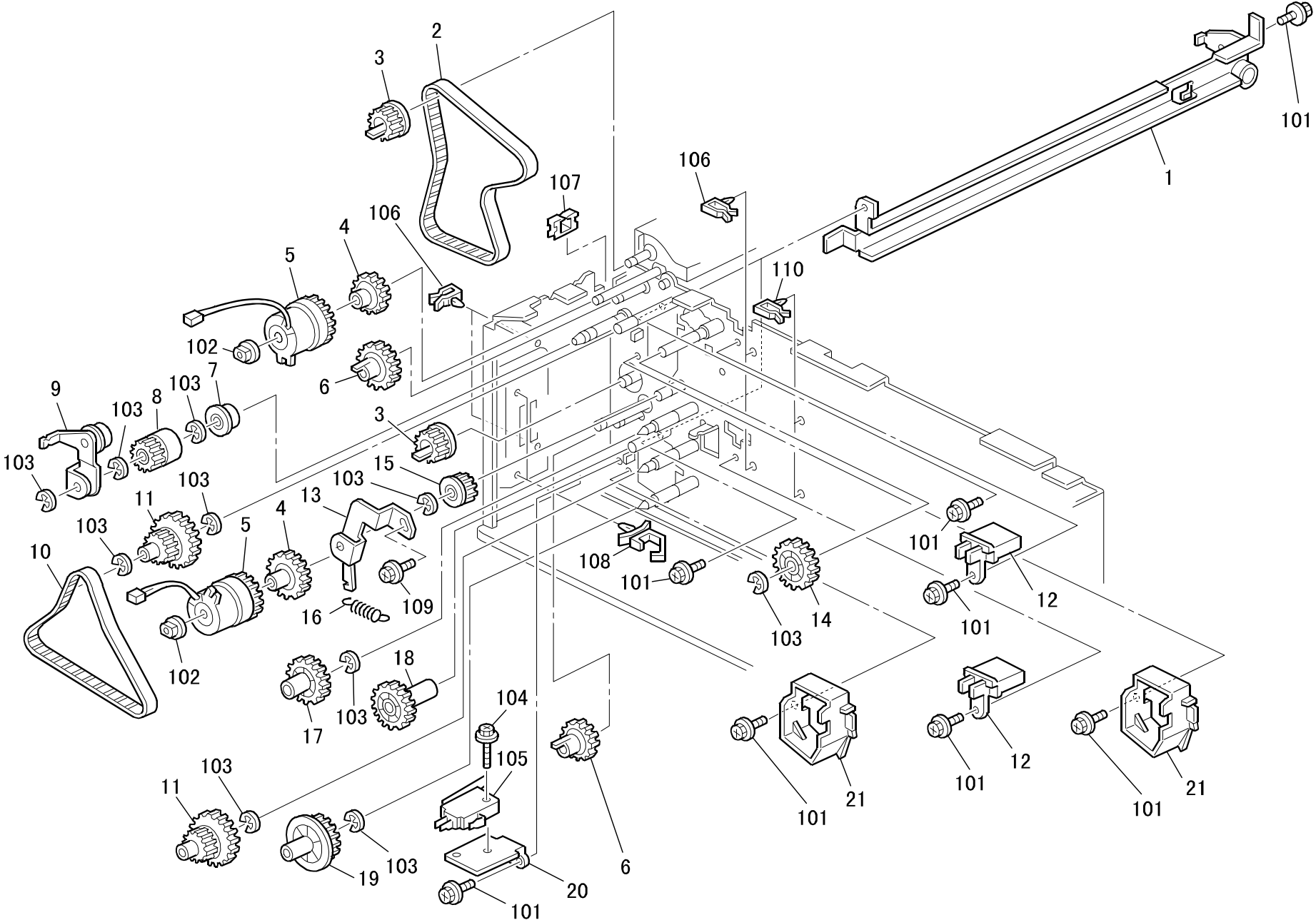
### 3.PAPR REGISTRATION (A682)

Index No.	Part No.	Description	Q'ty Per Assembly
<b>1</b>	<b>AF03 0035</b>	<b>Pick-up Roller</b>	<b>1</b>
2	A232 2763	Pick-up Arm	1
3	AB01 1188	Gear - 21Z	1
4	AA06 0691	Tension Spring	1
5	5447 2681	Snap Ring	1
<b>6</b>	<b>AF03 1035</b>	<b>Feed Roller</b>	<b>1</b>
7	AB01 1189	Gear - 18Z	1
8	AA08 2070	Bushing - 8x16x7	1
9	A232 2760	Housing - Paper Feed Unit	1
10	A232 2765	Front Grounding Plate	1
11	A232 2783	Torque Limiter	1
12	A232 2777	Shaft - Paper Separation	1
13	A232 2762	Paper End Feeler	1
14	A232 2782	Rear Feed Mylar	1
15	A232 2776	Release Lever	1
16	5206 2686	Snap Ring	2
17	AB01 0107	Gear - 23Z	1
18	A232 2770	Stay - Paper Separation	1
19	AB01 0106	Gear - 24Z	1
20	AA14 0656	Shaft - Gear	1
21	A232 2774	Pressure Lever	1
22	A232 2775	Link Lever	1
23	AA06 0692	Tension Spring	1
24	A232 2785	Vertical Guide	1
25	A232 2787	Vertical Transport Guide	1
26	AA08 2072	Bushing - M6	2
27	A232 2764	Rear Grounding Plate	1
28	AA14 0655	Shaft - Paper Feed	1
29	AA08 3014	One-way Clutch	1
30	A232 5428	Harness - Paper Feed Unit	1
31	AW02 0056	Photointerruptor - EE-SX4235A-P1	2
32	AF02 0404	Transport Roller	1
33	A232 2780	Stay - Paper Feed	1
34	A232 2781	Sensor Bracket	1
35	AW02 0096	Photointerruptor	1

Index No.	Part No.	Description	Q'ty Per Assembly
<b>36</b>	<b>AF03 2035</b>	<b>Separation Roller</b>	<b>1</b>
37	AA06 0693	Tension Spring	1
38	A682 2570	Guide	1
39	A232 2750	Paper Feed Unit Ass'y	1
40	A232 2766	Feed Mylar	1
101	0451 3008B	Tapping Screw - M3x8	
102	0720 0040E	Retaining Ring - M4	
103	0720 0060E	Retaining Ring - M6	
104	0805 3480	Bushing - 6mm	
105	0805 0089	Retaining Ring - M4	
106	1105 0283	Clamp	



4.DRIVE SECTION (A682)

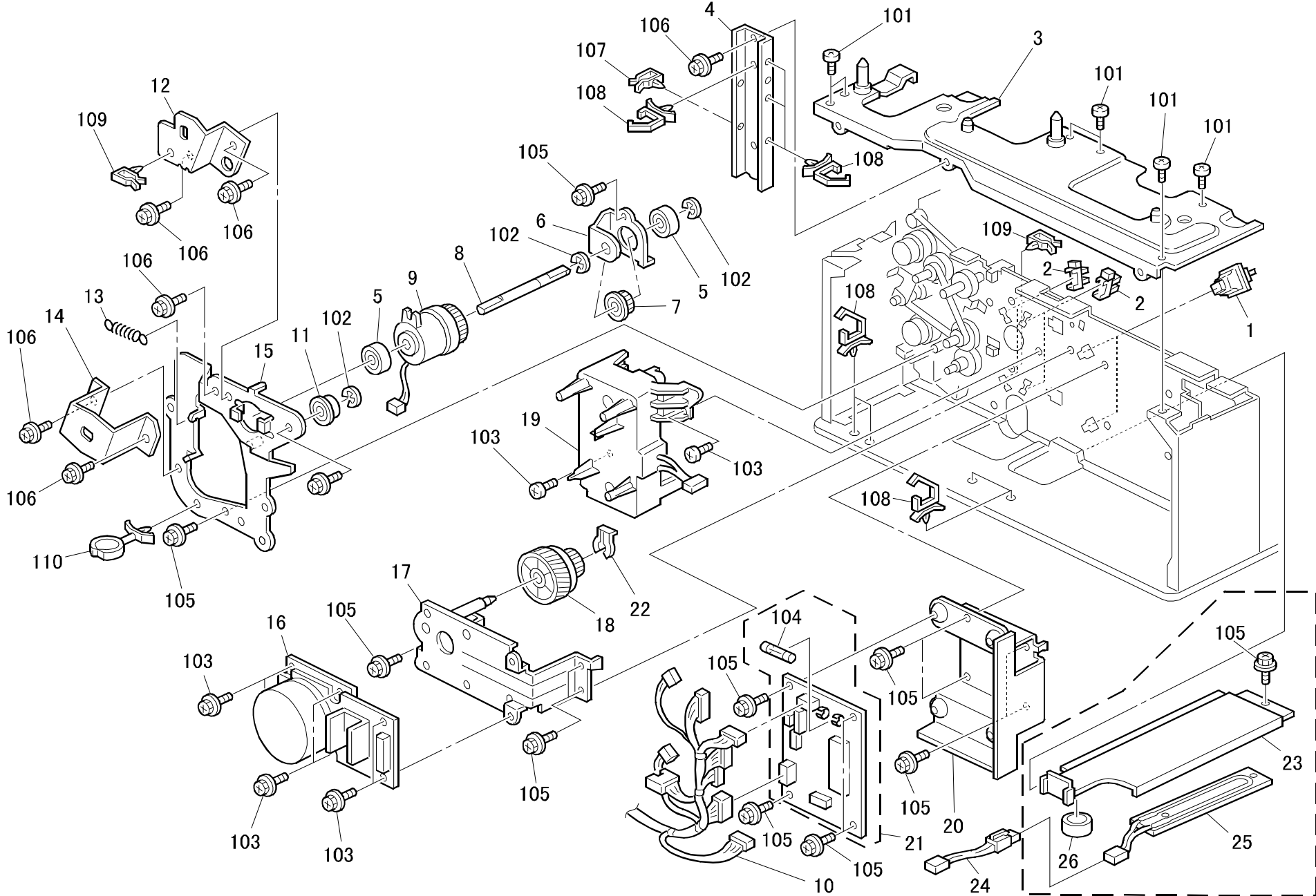


#### 4.DRIVE SECTION (A682)

Index No.	Part No.	Description	Q'ty Per Assembly
1	A232 2990	Guide Rail - Paper Tray	2
2	AA04 3445	Timing Belt - S3M-360	1
3	AB03 0565	Timing Pulley - 20T	2
4	AB01 4037	Gear - 24Z	2
5	AX20 0153	Electrical Clutch	2
6	AB01 4038	Gear - 22Z	2
7	AB03 0590	Pulley - M17	1
8	AB03 0575	Timing Pulley - 20T	1
9	A232 2705	Tightener - Paper Feed	1
10	AA04 3446	Timing Belt - S3M-312	1
11	AB03 0561	Timing Pulley - 31Z/20T	2
12	A682 2996	Positioning Guide	2
13	A232 2703	Tightener	1
14	AB01 4066	Gear - 31Z	1
15	AB03 0566	Timing Pulley - 20T	1
16	AA06 0695	Tension Spring	1
17	AB03 0567	Timing Pulley - 18t	1
18	AB01 4039	Gear - 31Z	1
19	AB01 4040	Gear - 29Z	1
20	A232 2882	Bracket - Micro Switch	1
21	A232 2692	Cover - Paper Drive	2

Index No.	Part No.	Description	Q'ty Per Assembly
101	0451 3006B	Tapping Screw - M3x6	
102	0805 3480	Bushing - 6mm	
103	0720 0060E	Retaining Ring - M6	
104	0451 3014B	Tapping Screw - M3-14	
105	1204 2466	Micro Switch - V-16506-1C25	
106	1105 0290	Harness Clamp - Horizontal	
107	1105 0113	Edge - P108	
108	1105 0310	Harness Clamp - LWS-1S	
109	0951 3006B	Philips Screw With Flat Washer - M3x6	
110	1105 0283	Clamp	

# 5.DRIVE AND ELECTRICAL SECTION (A682)



## 5.DRIVE AND ELECTRICAL SECTION (A682)

Index No.	Part No.	Description	Q'ty Per Assembly
1	AW50 0022	Push Switch	2
2	AW02 0056	Photointerruptor - EE-SX4235A-P1	4
3	A682 1054	Upper Rear Stay	1
4	A682 1071	Support Palte - Rear Frame	1
5	A232 3552	Ball Bearing - 8x22x7	2
6	A232 2702	Pulley Bracket	1
7	AB03 0567	Timing Pulley - 18t	1
8	AA14 5260	Gear Shaft	1
9	AX20 0138	Electrical Clutch	1
10	A682 5310	Bank Main Harness	1
11	AB03 0590	Pulley - M17	1
12	A682 1120	Support Plate	1
13	AA06 0694	Tension Spring	1
14	A232 2711	Lower Holder Plate	1
15	A682 1110	Support Bracket	1
16	AX06 0139	DC Motor - 24V 12.3W	1
17	A682 1150	Motor Bracket	1
18	AB01 4065	Coupling Gear - 49Z/27Z	1
19	AX04 0077	DC Motor - 24V 19.2W	1
20	A682 1075	Main Board Bracket	1
21	A682 5110	Bank Interafce Board	1
22	5215 2621	Snap Ring - M6	1
23	A230 2520	Heat Sink - Heater	1
24	A682 5320	Dehumidifier Harness	1
25	AX40 0109	Heater - 120V 9W	1
26	A230 2525	Stopper - Heater	1

Index No.	Part No.	Description	Q'ty Per Assembly
101	0453 3006B	Tapping Screw - M3x6	
102	0720 0060E	Retaining Ring - M6	
103	0451 3008B	Tapping Screw - M3x8	
104	1107 0392	Fuse - 6.3A 125V	
105	0451 3006B	Tapping Screw - M3x6	
106	0951 3006B	Philips Screw With Flat Washer - M3x6	
107	1105 0290	Harness Clamp - Horizontal	
108	1105 0310	Harness Clamp - LWS-1S	
109	1105 0283	Clamp	
110	1105 0348	Clamp	

# **PARTS INDEX**

## PM Parts Index

Section Name	Part No.	Description in Service Manual	Description in Parts Catalog	Q'ty Per Assembly	Page and Index No
PAPR REGISTRATION (A682)	AF03 1035	Feed Roller	Feed Roller	1	7- 6
	AF03 0035	Pick-up Roller	Pick-up Roller	1	7- 1
	AF03 2035	Separation Roller	Separation Roller	1	7- 36

## Parts Index

Part No.	Description	Page and Index No.
A682 1054	Upper Rear Stay	11- 3
A682 1067	Upper Middle Stay	3- 18
A682 1071	Support Palte - Rear Frame	11- 4
A682 1073	Fixing Plate	3- 20
A682 1074	Grounding Plate	3- 17
A682 1075	Main Board Bracket	11- 20
A682 1110	Support Bracket	11- 15
A682 1120	Support Plate	11- 12
A682 1150	Motor Bracket	11- 17
A682 1250	Right Cover	3- 19
A682 1251	Right Cover	3- 4
A682 1253	Left Cover	3- 3
A682 1260	Front Upper Cover	3- 2
A682 2550	Vertical Transport Cover	3- 13
A682 2551	Lever - Vertical Transpot Cover	3- 14
A682 2552	Front Hook - Vertical Transport	3- 16
A682 2553	Rear Hook - Vertical Transport Cover	3- 12
A682 2559	Lever Stopper	3- 9
A682 2560	Vertical Transport Guide	3- 5
A682 2565	Stopper - Vertical Transport Cover	3- 15
A682 2570	Guide	7- 38
A682 2996	Positioning Guide	9- 12
A682 5110	Bank Interafce Board	11- 21
A682 5310	Bank Main Harness	11- 10
A682 5320	Dehumidifier Harness	11- 24
A682 6166	Front Stand	3- 22
A682 6167	Rear Stand	3- 21
A682 6170	Stand Fixing Plate	3- 27

Part No.	Description	Page and Index No
AA00 3002	Decal - Add Paper	5- 7
AA04 3445	Timing Belt - S3M-360	9- 2
AA04 3446	Timing Belt - S3M-312	9- 10
AA06 0691	Tension Spring	7- 4
AA06 0692	Tension Spring	7- 23
AA06 0693	Tension Spring	7- 37
AA06 0694	Tension Spring	11- 13
AA06 0695	Tension Spring	9- 16
AA06 0715	Pressure Spring	3- 10
AA06 3573	Compression Spring	3- 8
AA08 0228	Bushing - M4	3- 7
AA08 2070	Bushing - 8x16x7	7- 8
AA08 2072	Bushing - M6	7- 26
AA08 3014	One-way Clutch	7- 29
AA14 0655	Shaft - Paper Feed	7- 28
AA14 0656	Shaft - Gear	7- 20
AA14 0670	Un Lock Shaft	3- 11
AA14 3754	Knob Screw - M3	3- 23
AA14 5260	Gear Shaft	11- 8
AB01 0106	Gear - 24Z	7- 19
AB01 0107	Gear - 23Z	7- 17
AB01 1188	Gear - 21Z	7- 3
AB01 1189	Gear - 18Z	7- 7
AB01 4037	Gear - 24Z	9- 4
AB01 4038	Gear - 22Z	9- 6
AB01 4039	Gear - 31Z	9- 18
AB01 4040	Gear - 29Z	9- 19
AB01 4065	Coupling Gear - 49Z/27Z	11- 18
AB01 4066	Gear - 31Z	9- 14
AB03 0561	Timing Pulley - 31Z/20T	9- 11
AB03 0565	Timing Pulley - 20T	9- 3
AB03 0566	Timing Pulley - 20T	9- 15
AB03 0567	Timing Pulley - 18t	9- 17
AB03 0567	Timing Pulley - 18t	11- 7
AB03 0575	Timing Pulley - 20T	9- 8

Part No.	Description	Page and Index No.
AB03 0590	Pulley - M17	9- 7
AB03 0590	Pulley - M17	11- 11
AF00 2005	Paper Tray Ass'y	5- 1
AF01 3014	Bottom Plate Pad	5- 5
AF01 7020	End Fence	5- 6
AF02 0404	Transport Roller	7- 32
AF03 0035	Pick-up Roller	7- 1
AF03 1035	Feed Roller	7- 6
AF03 2035	Separation Roller	7- 36
AH01 2013	Stopper Caster - 60kgf	3- 26
AH01 2014	Caster - 60kgf	3- 24
AW02 0056	Photointerruptor - EE-SX4235A-P1	11- 2
AW02 0056	Photointerruptor - EE-SX4235A-P1	7- 31
AW02 0096	Photointerruptor	7- 35
AW50 0022	Push Switch	11- 1
AX04 0077	DC Motor - 24V 19.2W	11- 19
AX06 0139	DC Motor - 24V 12.3W	11- 16
AX20 0138	Electrical Clutch	11- 9
AX20 0153	Electrical Clutch	9- 5
AX40 0109	Heater - 120V 9W	11- 25

Part No.	Description	Page and Index No
A217 1340	Knob Screw - M4x10	3- 28
A230 2520	Heat Sink - Heater	11- 23
A230 2525	Stopper - Heater	11- 26
A232 2692	Cover - Paper Drive	9- 21
A232 2702	Pulley Bracket	11- 6
A232 2703	Tightener	9- 13
A232 2705	Tightener - Paper Feed	9- 9
A232 2711	Lower Holder Plate	11- 14
A232 2750	Paper Feed Unit Ass'y	7- 39
A232 2760	Housing - Paper Feed Unit	7- 9
A232 2762	Paper End Feeler	7- 13
A232 2763	Pick-up Arm	7- 2
A232 2764	Rear Grounding Plate	7- 27
A232 2765	Front Grounding Plate	7- 10
A232 2766	Feed Mylar	7- 40
A232 2770	Stay - Paper Separation	7- 18
A232 2774	Pressure Lever	7- 21
A232 2775	Link Lever	7- 22
A232 2776	Release Lever	7- 15
A232 2777	Shaft - Paper Separation	7- 12
A232 2780	Stay - Paper Feed	7- 33
A232 2781	Sensor Bracket	7- 34
A232 2782	Rear Feed Mylar	7- 14
A232 2783	Torque Limiter	7- 11
A232 2785	Vertical Guide	7- 24
A232 2787	Vertical Transport Guide	7- 25
A232 2862	Driven Roller	3- 6
A232 2882	Bracket - Micro Switch	9- 20
A232 2972	Bottom Lift Shaft	5- 12
A232 2975	Bottom Lift Plate	5- 10
A232 2976	Grounding Plate - Paper Tray	5- 13
A232 2977	Bottom Plate	5- 4
A232 2978	Left Shoe	5- 17
A232 2979	Front Side Fence	5- 3
A232 2983	Rear Side Fence	5- 14



Part No.	Description	Page and Index No.
A232 2986	Screw - M4X8	5- 2
A232 2987	Roller - Paper Tray	5- 11
A232 2988	Handle - Paper Tray	5- 8
A232 2990	Guide Rail - Paper Tray	9- 1
A232 2995	Front Positioning Guide	3- 1
A232 2997	Right Stopper - Paper Tray	5- 9
A232 2999	Right Spacer	5- 16
A232 3552	Ball Bearing - 8x22x7	11- 5
A232 5428	Harness - Paper Feed Unit	7- 30
A235 2979	Paper End Sensor Feeler	5- 15
A507 1096	Philips Screw - M5x6	3- 25

Part No.	Description	Page and Index No
5206 2686	Snap Ring	7- 16
5215 2621	Snap Ring - M6	11- 22
5447 2681	Snap Ring	7- 5

Part No.	Description	Page and Index No.
0353 0060B	Philips Pan Head Screw - M3x6	5-102
0450 4010B	Tapping Screw - 4x10	3-103
0451 3006B	Tapping Screw - M3x6	9-101
0451 3006B	Tapping Screw - M3x6	11-105
0451 3006B	Tapping Screw - M3x6	3-101
0451 3008B	Tapping Screw - M3x8	11-103
0451 3008B	Tapping Screw - M3x8	7-101
0451 3008H	Tapping Screw - 3x8	3-102
0451 3014B	Tapping Screw - M3-14	9-104
0452 3010B	Tapping Bind Screw - M3x10	5-103
0453 3006B	Tapping Screw - M3x6	3-105
0453 3006B	Tapping Screw - M3x6	11-101
0720 0040E	Retaining Ring - M4	7-102
0720 0060E	Retaining Ring - M6	11-102
0720 0060E	Retaining Ring - M6	9-103
0720 0060E	Retaining Ring - M6	5-101
0720 0060E	Retaining Ring - M6	7-103
0805 0088	Retaining Ring - M6	3-104
0805 0089	Retaining Ring - M4	7-105
0805 3480	Bushing - 6mm	7-104
0805 3480	Bushing - 6mm	9-102
0951 3006B	Philips Screw With Flat Washer - M3x6	9-109
0951 3006B	Philips Screw With Flat Washer - M3x6	11-106
1105 0113	Edge - P108	9-107
1105 0283	Clamp	9-110
1105 0283	Clamp	7-106
1105 0283	Clamp	11-109
1105 0290	Harness Clamp - Horizontal	9-106
1105 0290	Harness Clamp - Horizontal	11-107
1105 0310	Harness Clamp - LWS-1S	9-108
1105 0310	Harness Clamp - LWS-1S	11-108
1105 0348	Clamp	11-110
1107 0392	Fuse - 6.3A 125V	11-104
1204 2466	Micro Switch - V-16506-1C25	9-105

Part No.	Description	Page and Index No